

## Description

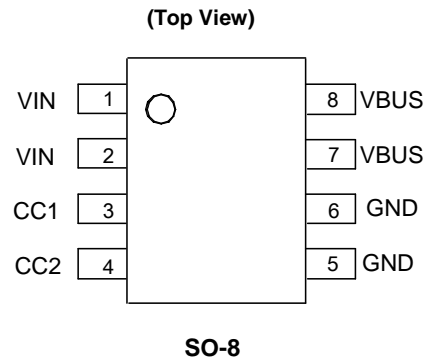
The AP43761 is a USB Type-C controller with 3A current capability advertised. The Chip integrates an auto-detect feature that detects the attachment or detachment of USB Type-C ports, establishes Downstream Facing Port (DFP) and Upstream Facing Port (UFP) roles between two USB Type-C ports. The Chip controls VBUS power delivery via integrated PMOSFET when UFP is attached or detached.

The AP43761 is available in SO-8 package.

## Features

- Detect the Attachment and Detachment of USB Type-C Port
- Integrated PMOSFET for Power Delivery
- 3A Current Capability Advertisement
- Under- Voltage Lock Output Protection
- Over Voltage Protection
- Over Temperature Protection
- Ambient Operating Temperature: -40°C to +85°C
- Available in SO-8 package
- **Totally Lead-Free & Fully RoHS Compliant (Notes 1 & 2)**
- **Halogen and Antimony Free. "Green" Device (Note 3)**

## Pin Assignments



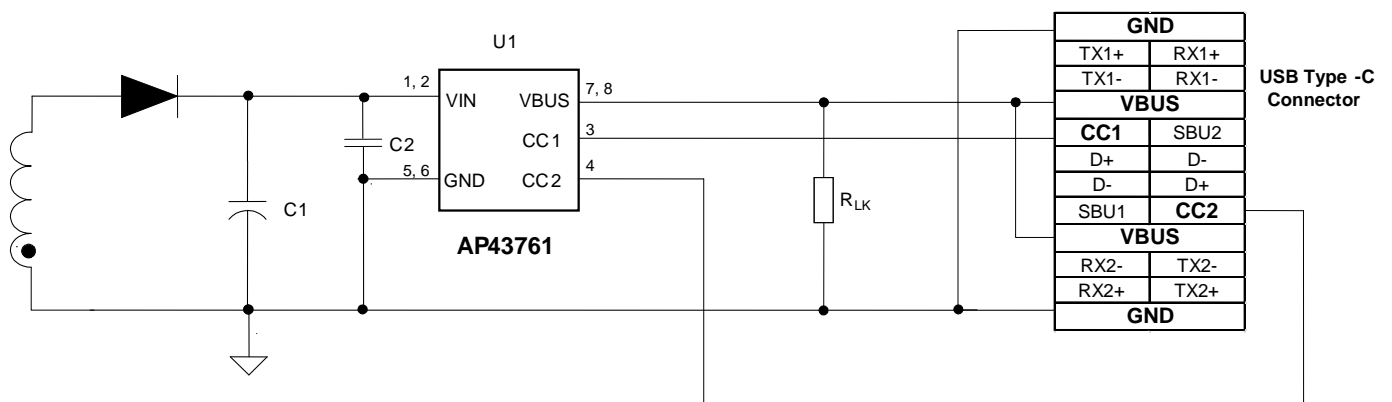
## Applications

- USB Type-C Chargers/Adaptors
- Mobile Chargers
- Power Adapters
- AC-DC Adapters

Notes:

1. No purposely added lead. Fully EU Directive 2002/95/EC (RoHS), 2011/65/EU (RoHS 2) & 2015/863/EU (RoHS 3) compliant.
2. See <https://www.diodes.com/quality/lead-free/> for more information about Diodes Incorporated's definitions of Halogen- and Antimony-free, "Green" and Lead-free.
3. Halogen- and Antimony-free "Green" products are defined as those which contain <900ppm bromine, <900ppm chlorine (<1500ppm total Br + Cl) and <1000ppm antimony compounds.

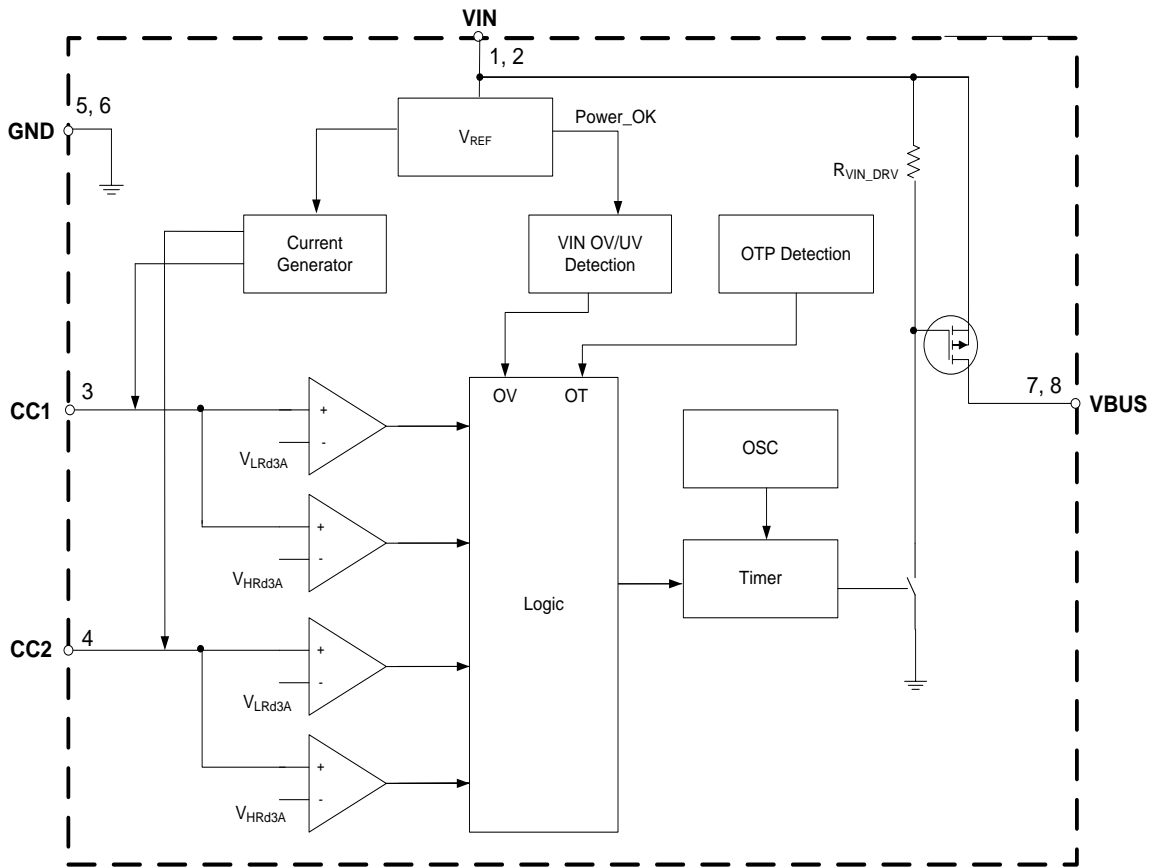
## Typical Applications Circuit



**Pin Descriptions**

Pin Number	Pin Name	Function
1, 2	VIN	Connected to DFP output voltage as IC power supplier and integrated PMOSFET input
3	CC1	Type-C Configuration Channel
4	CC2	Type-C Configuration Channel
5, 6	GND	Ground Return
7, 8	VBUS	Connected to Type-C connector VBUS pins

**Functional Block Diagram**



NEW PRODUCT

### Absolute Maximum Ratings (Note 4)

Symbol	Parameter	Rating	Unit
$V_{IN}/V_{BUS}/V_{CC1}/V_{CC2}$	VIN/ VBUS/CC1/CC2 Voltage	-0.3 to 7	V
$T_J$	Operating Junction Temperature	-40 to +150	°C
$T_{STG}$	Storage Temperature	-65 to +150	°C
$T_{LEAD}$	Lead Temperature (Soldering, 10 sec)	+300	°C
$\theta_{JA}$	Thermal Resistance (Junction to Ambient)	165	°C/W
ESD	ESD (Human Body Model)	8000	V
	ESD (Machine Model)	400	V

Note 4. Stresses greater than those listed under “Absolute Maximum Ratings” may cause permanent damage to the device. These are stress ratings only, and functional operation of the device at these or any other conditions beyond those indicated under “Recommended Operating Conditions” is not implied. Exposure to “Absolute Maximum Ratings” for extended periods may affect device reliability.

### Electrical Characteristics ( $V_{IN} = 5V, T_A = +25^\circ C$ , unless otherwise specified.)

Symbol	Parameters	Conditions	Min	Typ	Max	Unit
<b>STARTUP AND UVLO SECTION</b>						
$V_{TH\_ST}$	$V_{CC}$ Startup Threshold	-	3.4	3.7	4.0	V
$V_{OPR(MIN)}$	$V_{CC}$ Minimal Operating Voltage	-	2.7	3.0	3.3	V
<b>STANDBY CURRENT SECTION</b>						
$I_{CC}$	Operating Current	CC1/CC2 Open	-	90	-	$\mu A$
<b>Controller SECTION</b>						
$V_{LRd3A}$	Low Voltage Threshold Used to Distinguish Rd Attached or Detached for 3A Advertisement	-	0.75	0.8	0.85	V
$V_{HRd3A}$	High Voltage Threshold Used to Distinguish Rd Attached or Detached for 3A Advertisement	-	2.45	2.60	2.75	V
$I_{Rd3A}$	CC1/CC2 Current Source for 3A Advertisement	-	304	330	356	$\mu A$
$t_{CC\_DEBOUNCE}$	Port Attachment Detection Debounce Time	-	100	150	200	ms
$t_{PD\_DEBOUNCE}$	Port Detachment Detection Debounce Time	-	10	15	20	ms
<b>PMOSFET SECTION</b>						
$R_{SWITCH\_ON}$	Switch Turn-on Resistance	$V_{IN}=4.5V, I_{BUS}=4A$	-	-	15	m $\Omega$
$V_{DRVL}$	PMOSFET Low Driving Voltage	-	0	-	0.5	V
$R_{VIN\_DRV}$	Resister Between VIN And Internal Drive Pin	-	12	15	18	K $\Omega$
<b>Protection SECTION</b>						
$V_{OVP}$	VIN Over Voltage Protection (OVP) Trigger Voltage	-	5.8	5.9	6.0	V
$V_{HYS}$	VIN OVP Hysteresis Voltage	-	-	0.3	-	V
$T_{OTP}$	OTP Trigger Temperature	-	-	+135	-	°C
$T_{HYS}$	OTP Hysteresis Temperature	-	-	+115	-	°C

## Operation Description

### Overall Introduction

The AP43761 provides configure channels CC (CC1 and CC2) to control VBUS output to USB Type-C port. CC1 and CC2, are used to detect attachment or detachment of USB Type-C port, establish or cancel the connection of DFP and UFP.

### Configure Channels Control Logic

There is 330µA constant current generated on CC1/CC2 pin. When UFP with a specified resistance ( $R_d = 5.1k\Omega$ ) to GND in CC pin is connected to DFP, about 1.683V voltage which is in the voltage range of  $V_{LRd3A}$  (0.8V) and  $V_{HRd3A}$  (2.6V) will be detected in one of CC pin of AP43761. After the valid  $t_{CC\_DEBOUNCE}$  time (150ms), the AP43761 will turn on the internal PMOSFET to delivery power via VBUS pin;

On the contrary, if no UFP is connected to DFP or other circumstances, none of the  $V_{CC1}$  and  $V_{CC2}$  voltage is in the voltage range of  $V_{LRd3A}$  (0.8V) and  $V_{HRd3A}$  (2.6V), After the valid  $t_{PD\_DEBOUNCE}$  time (15ms), the AP43761 will turn off the internal PMOSFET to prevent delivering power from VBUS pin.

**Table 1. VBUS Output Logic**

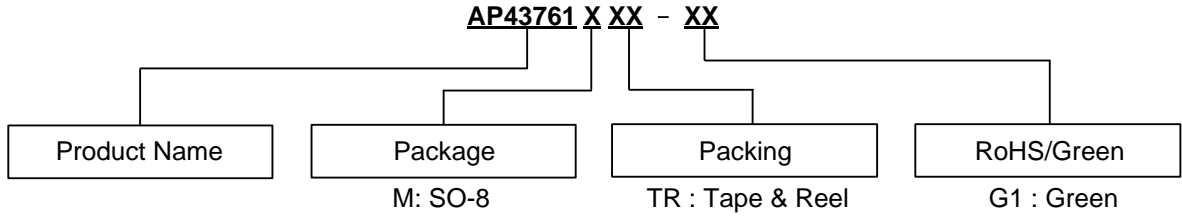
CC1 Voltage	CC2 Voltage	VBUS Output
$V_{LRd3A} < V_{CC1} < V_{HRd3A}$	Don't Care	ON
Don't Care	$V_{LRd3A} < V_{CC2} < V_{HRd3A}$	
$V_{CC1} < V_{LRd3A}$ or $V_{CC1} > V_{HRd3A}$	$V_{CC2} < V_{LRd3A}$ or $V_{CC2} > V_{HRd3A}$	OFF

When the internal PMOSFET of AP43761 is turned on, 3A current capacity can be achieved.

### Bleeding Resistance Configuration

When the detachment of UFP is detected, AP43761 will turn off the internal PMOSFET to prevent delivering power from VBUS pin. In order to make sure that the VBUS voltage drops to vSafe0V (vSafe0V is VBUS "0 volts" as defined by the USB power delivery specification) within 650ms, a VBUS bleeding resistance ( $R_{LK}$ ) is placed between VBUS and GND of USB Type-C port (see Typical Applications Circuit part). The minimum value of  $R_{LK}$  should be 72.4kΩ.

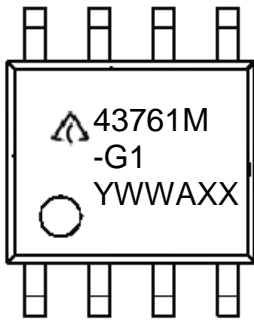
**Ordering Information**



Package	Temperature Range	Part Number	Marking ID	Packing
SO-8	-40 to +85°C	AP43761MTR-G1	43761M-G1	4000/Tape & Reel

**Marking Information**

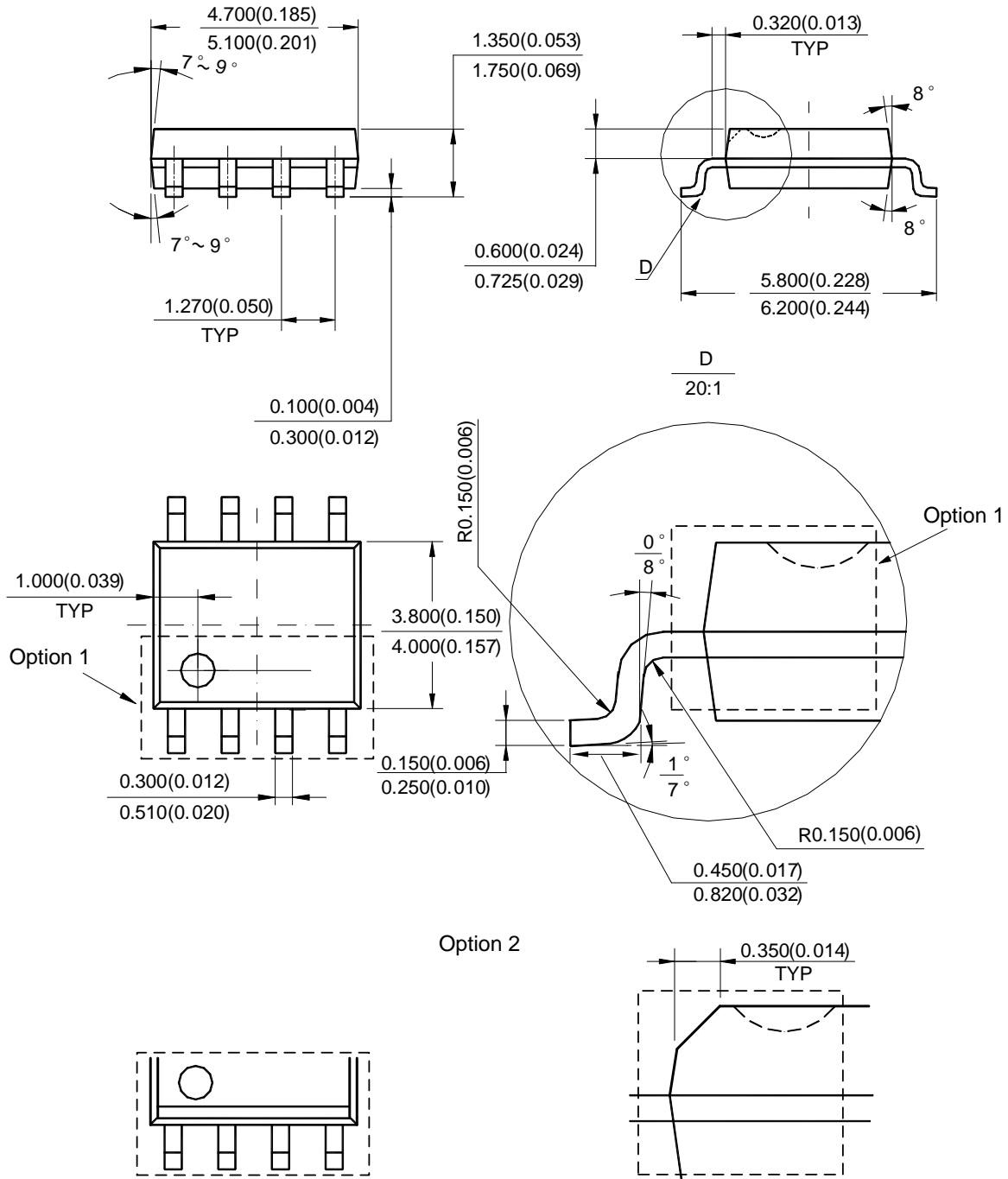
(Top View)



First and Second Lines: Logo and Marking ID  
 Third Line: Date Code  
 Y: Year  
 WW: Work Week of Molding  
 A: Assembly House Code  
 XX: 7th and 8th Digits of Batch No.

**Package Outline Dimensions** (All dimensions in mm(inch).)

(1) Package Type: SO-8

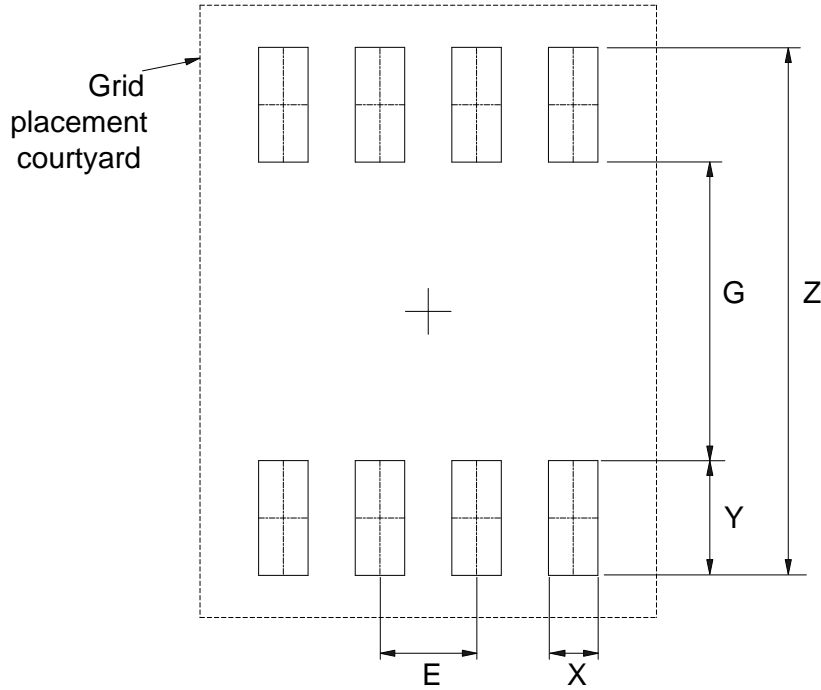


Note: Eject hole, oriented hole and mold mark is optional.

NEW PRODUCT

**Suggested Pad Layout**

(1) Package Type: SO-8



Dimensions	Z (mm)/(inch)	G (mm)/(inch)	X (mm)/(inch)	Y (mm)/(inch)	E (mm)/(inch)
Value	6.900/0.272	3.900/0.154	0.650/0.026	1.500/0.059	1.270/0.050

NEW PRODUCT

**IMPORTANT NOTICE**

DIODES INCORPORATED MAKES NO WARRANTY OF ANY KIND, EXPRESS OR IMPLIED, WITH REGARDS TO THIS DOCUMENT, INCLUDING, BUT NOT LIMITED TO, THE IMPLIED WARRANTIES OF MERCHANTABILITY AND FITNESS FOR A PARTICULAR PURPOSE (AND THEIR EQUIVALENTS UNDER THE LAWS OF ANY JURISDICTION).

Diodes Incorporated and its subsidiaries reserve the right to make modifications, enhancements, improvements, corrections or other changes without further notice to this document and any product described herein. Diodes Incorporated does not assume any liability arising out of the application or use of this document or any product described herein; neither does Diodes Incorporated convey any license under its patent or trademark rights, nor the rights of others. Any Customer or user of this document or products described herein in such applications shall assume all risks of such use and will agree to hold Diodes Incorporated and all the companies whose products are represented on Diodes Incorporated website, harmless against all damages.

Diodes Incorporated does not warrant or accept any liability whatsoever in respect of any products purchased through unauthorized sales channel. Should Customers purchase or use Diodes Incorporated products for any unintended or unauthorized application, Customers shall indemnify and hold Diodes Incorporated and its representatives harmless against all claims, damages, expenses, and attorney fees arising out of, directly or indirectly, any claim of personal injury or death associated with such unintended or unauthorized application.

Products described herein may be covered by one or more United States, international or foreign patents pending. Product names and markings noted herein may also be covered by one or more United States, international or foreign trademarks.

This document is written in English but may be translated into multiple languages for reference. Only the English version of this document is the final and determinative format released by Diodes Incorporated.

**LIFE SUPPORT**

Diodes Incorporated products are specifically not authorized for use as critical components in life support devices or systems without the express written approval of the Chief Executive Officer of Diodes Incorporated. As used herein:

A. Life support devices or systems are devices or systems which:

1. are intended to implant into the body, or
2. support or sustain life and whose failure to perform when properly used in accordance with instructions for use provided in the labeling can be reasonably expected to result in significant injury to the user.

B. A critical component is any component in a life support device or system whose failure to perform can be reasonably expected to cause the failure of the life support device or to affect its safety or effectiveness.

Customers represent that they have all necessary expertise in the safety and regulatory ramifications of their life support devices or systems, and acknowledge and agree that they are solely responsible for all legal, regulatory and safety-related requirements concerning their products and any use of Diodes Incorporated products in such safety-critical, life support devices or systems, notwithstanding any devices- or systems-related information or support that may be provided by Diodes Incorporated. Further, Customers must fully indemnify Diodes Incorporated and its representatives against any damages arising out of the use of Diodes Incorporated products in such safety-critical, life support devices or systems.

Copyright © 2018, Diodes Incorporated

[www.diodes.com](http://www.diodes.com)